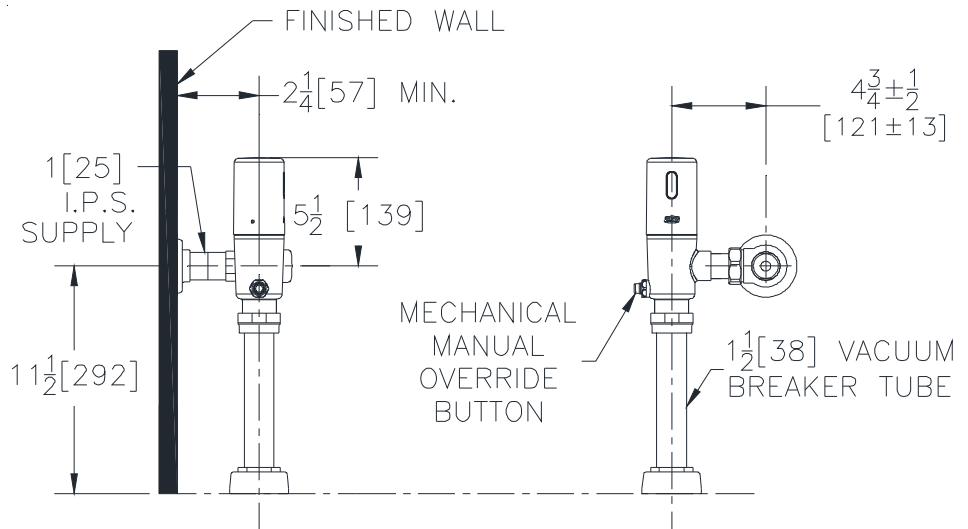


ZTR6200EV

1.28 GPF Sensor Operated Water Closet Flush Valve



Accessories

- LL 10 Year Long Life Battery
- YJ Split Ring Pipe Support
- YK Solid Ring Pipe Support
- YO Bumper on Angle Stop
- _____ Other

NOTE: Performance guaranteed with Zurn EcoVantage® fixtures. Please consult Zurn Technical Services at 1-800-997-3876 to discuss the paired performance of this valve with other manufacturers fixtures.



*This product should be used with a WaterSense labeled counterpart with a compatible flush volume to ensure that the entire system meets the requirements for water efficiency and performance.

Architectural/Engineering Approval

The information contained in this document is subject to change without notice.

ZURN INDUSTRIES, LLC. ♦ COMMERCIAL BRASS OPERATION
5900 ELWIN BUCHANAN DRIVE ♦ SANFORD NC 27330
PHONE: 1-800-997-3876 ♦ FAX: 919-775-3541
WWW.ZURN.COM

IN CANADA: ZURN INDUSTRIES LIMITED
7900 GOREWAY DRIVE UNIT 10 ♦ BRAMPTON, ONTARIO L6T5W6
PHONE: 905-405-8272 FAX: 905-405-1292

EcoVantage® is a registered trademark of Zurn Industries, LLC.

ENGINEERING SPECIFICATIONS

Exposed chrome plated flushometer valve with a polished robust metal cap design.

- Filtered Piston Kit
Chloramine resistant
- Proprietary DR resistant low lead brass alloy
- Actuator
Sensor powered by 4 "AA" batteries
3 year battery life on 48,000 activations per year
- Mechanical Manual Override Button
- Control Stop
Internal siphon-guard protection
Vandal resistant stop cap
Sweat solder kit
Cast wall flange with set screw
- Vacuum Breaker
High back pressure
One piece hex coupling nut
- Internal seals
Chloramine resistant
- Adjustable tailpiece
- Spud coupling and flange for top spud connection