

## Dimensional Document

# Viega ProPress® Stainless XL® Fittings

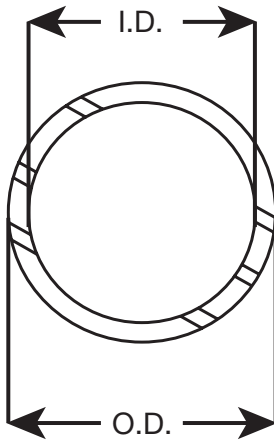


This document is subject to updates. For the most current Viega technical literature please visit [viega.us](http://viega.us).



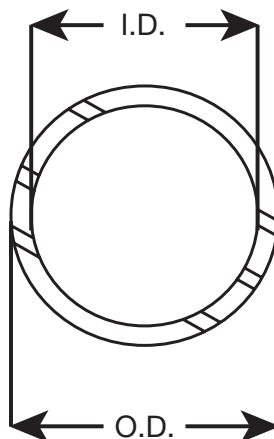
Viega products are designed to be installed by licensed and trained plumbing and mechanical professionals who are familiar with Viega products and their installation. **Installation by non-professionals may void Viega LLC's warranty.**

### ProPress XL ECO Pipe 304 Stainless Steel ASTM A554- Model 0108XL

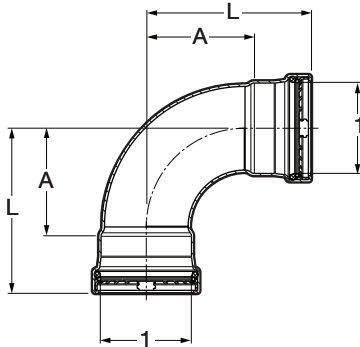


Part No.	Size (in)	O.D. (in)	I.D. (in)	Wall Thickness (in)	Length (ft)
<b>S/S 304</b>					
87080	2½	2.63	2.47	0.08	20
87085	3	3.13	2.97	0.08	20
87090	4	4.13	3.97	0.08	20

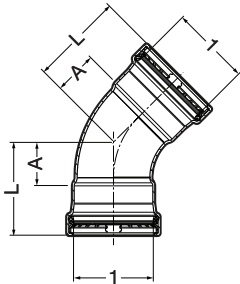
### ProPress XL Pipe Stainless Steel ASTM A312 - Models 0107XL / 4007XL



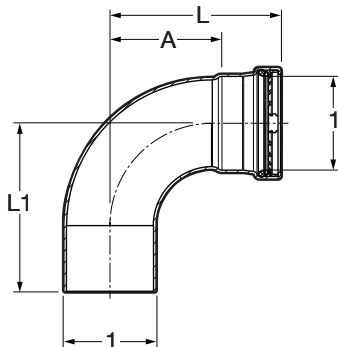
Part No.	Size (in)	O.D. (in)	I.D. (in)	Wall Thickness (in)	Length (ft)	
<b>S/S 304</b>						
<b>S/S 316</b>						
87095	82042	2½	2.63	2.47	0.08	20
87100	82050	3	3.13	2.97	0.08	20
87105	82055	4	4.13	3.97	0.08	20

**ProPress XL 90° Elbow Stainless Steel P x P - Models 6016XL / 4016XL**


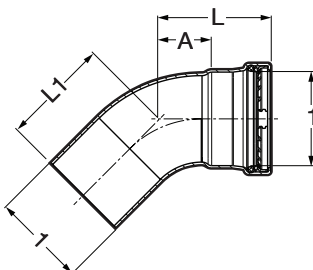
Part No.		Size (in)		A (in)	L (in)
S/S 304	S/S 316	1	1		
85432	80430	2½	2½	3.19	4.88
85437	80435	3	3	3.76	5.73
85442	80440	4	4	4.86	7.22

**ProPress XL 45° Elbow Stainless Steel P x P - Models 6026XL / 4026XL**


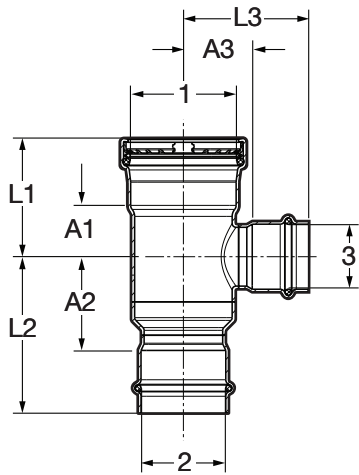
Part No.		Size (in)		A (in)	L (in)
S/S 304	S/S 316	1	1		
85477	80475	2½	2½	1.48	3.18
85482	80480	3	3	1.73	3.70
85487	80485	4	4	2.19	4.55

**ProPress XL 90° Street Elbow Stainless Steel P x FTG - Models 6016.1XL / 4016.1XL**


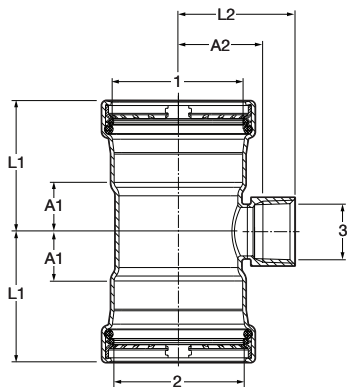
Part No.		Size (in)		A (in)	L (in)	L1 (in)
S/S 304	S/S 316	1	1			
85522	80520	2½	2½	3.19	4.88	4.80
85527	80525	3	3	3.76	5.73	5.63
85532	80530	4	4	4.86	7.22	7.13

**ProPress XL 45° Street Elbow Stainless Steel P x FTG - Models 6026.1XL / 4026.1XL**


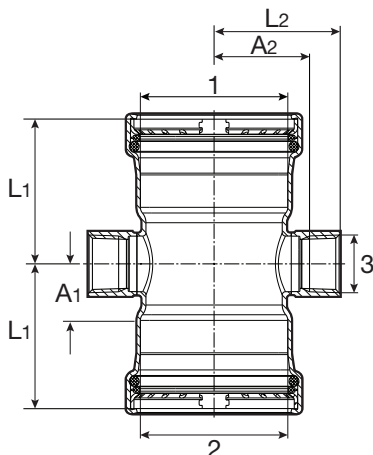
Part No.		Size (in)		A (in)	L (in)	L1 (in)
S/S 304	S/S 316	1	1			
85567	80565	2½	2½	1.48	3.18	3.10
85572	80570	3	3	1.73	3.70	3.60
85577	80575	4	4	2.19	4.55	4.45

**ProPress XL Tee Stainless Steel P x P x P - Models 6018XL / 4018XL**


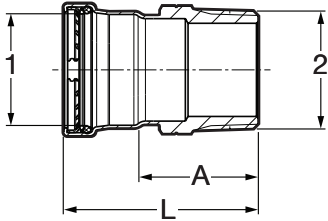
Part No.		Size (in)			A1 (in)	A2 (in)	A3 (in)	L1 (in)	L2 (in)	L3 (in)
S/S 304	S/S 316	1	2	3						
85955	80753	2½	2	1½	1.30	2.37	1.74	2.99	3.96	3.17
85954	80752	2½	2	2	1.54	2.69	1.78	3.23	4.27	3.37
85934	80751	2½	2½	1½	1.30	1.30	1.74	2.99	2.99	3.17
85904	80760	2½	2½	2	1.54	1.54	1.78	3.23	3.23	3.37
85612	80610	2½	2½	2½	1.83	1.83	1.87	3.52	3.52	3.56
85944	80782	3	3	1¼	1.24	1.24	1.96	3.21	3.21	2.99
85935	80781	3	3	1½	1.32	1.32	2.00	3.29	3.29	3.43
85905	80770	3	3	2	1.56	1.56	2.04	3.52	3.52	3.62
85914	80780	3	3	2½	1.85	1.85	2.13	3.82	3.82	3.82
85617	80615	3	3	3	2.07	2.07	2.15	4.04	4.04	4.11
85945	80791	4	4	1½	1.36	1.36	2.51	3.72	3.72	3.94
85915	80790	4	4	2	1.59	1.59	2.55	3.96	3.96	4.13
85924	80800	4	4	2½	1.89	1.89	2.64	4.25	4.25	4.33
85925	80810	4	4	3	2.11	2.11	2.66	4.47	4.47	4.63
85622	80620	4	4	4	2.60	2.60	2.66	4.96	4.96	5.02

**ProPress XL Reducing Tee Stainless Steel P x P x FPT - Models 6017.2XL / 4017.2XL**


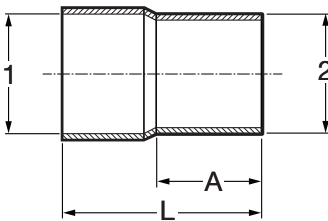
Part No.		Size (in)			A1 (in)	A2 (in)	L1 (in)	L2 (in)
S/S 304	S/S 316	1	2	3				
85952	80950	2½	2½	¾	1.02	1.73	2.72	2.28
85962	80960	2½	2½	1	1.02	1.74	2.72	2.38
85972	80970	3	3	¾	1.04	1.98	3.01	2.54
85982	80980	3	3	1	1.04	1.98	3.01	2.64
85992	80990	4	4	¾	1.08	2.50	3.44	3.05
86002	81000	4	4	1	1.08	2.49	3.44	3.15

**ProPress XL Cross Stainless Steel P x P x FPT x FPT - Model 4044.2XL**


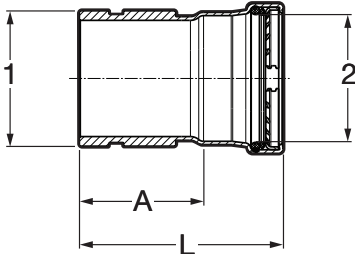
Part No.	Size (in)	A1 (in)	A2 (in)	L1 (in)	L2 (in)
S/S 316	1 2 3				
80067	2½ x 2½ x ¾	1.02	1.73	2.62	2.28
80069	3 x 3 x ¾	1.04	1.98	3.01	2.54
80068	4 x 4 x ¾	1.08	2.50	3.44	3.05

**ProPress XL Adapter P x MPT - Models 6011XL / 4011XL**


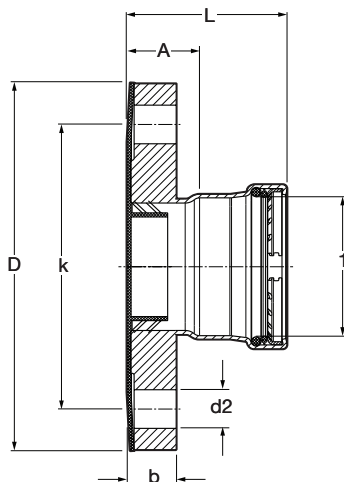
Part No.		Size (in)		A (in)	L (in)
S/S 304	S/S 316	1	2		
85062	80060	2½	2½ MPT	2.99	4.69
85067	80065	3	3 MPT	3.09	5.06
85072	80070	4	4 MPT	3.13	5.49

**ProPress XL Adapter Stainless Steel BW (IPS) x FTG - Models 0113.1XL / 4013.1XL**


Part No.		Size (in)		A (in)	L (in)
S/S 304	S/S 316	1 (IPS)	2 (CTS)		
85135	80081	2½ ID	2½ OD	2.32	4.37
85145	80082	3 ID	3 OD	2.60	4.57
85155	80083	4 ID	4 OD	2.99	5.16

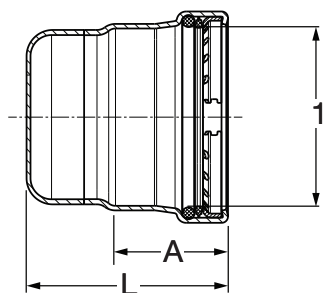
**ProPress XL Adapter Stainless Steel Groove x P - Model 4013.2XL**


Part No.		Size (in)		A (in)	L (in)
S/S 316	1 G (IPS)	2			
80064	2½	2½		2.64	4.33
80061	3	3		2.66	4.63
80063	4	4		2.66	5.02

**ProPress XL Adapter Flange Stainless Steel P x Flange - Models 6059XL / 4059XL**


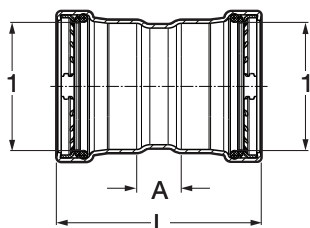
Part No.		Size (in)		b (in)	A (in)	L (in)	k (in)	D (in)	d2 (in)
S/S 304	S/S 316	1							
86067	81065	2½	0.89	1.35	3.04	5.51	7.09	0.75	
86072	81070	3	0.96	1.39	3.40	5.98	7.48	0.75	
86077	81075	4	0.96	1.40	3.77	7.52	9.06	0.75	

## ProPress XL Cap Stainless Steel P x Cap - Models 6056.1XL / 4056.1XL



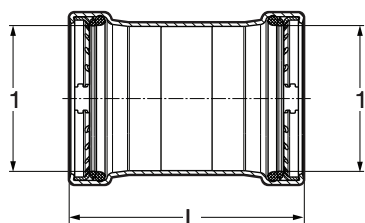
Part No.		Size (in)	A (in)	L (in)
<b>S/S 304</b>	<b>S/S 316</b>	<b>1</b>		
85387	80385	2½	1.69	3.01
85392	80390	3	1.97	3.33
85397	80395	4	2.36	3.72

## ProPress XL Coupling with Stop Stainless Steel P x P - Models 6015XL / 4015XL



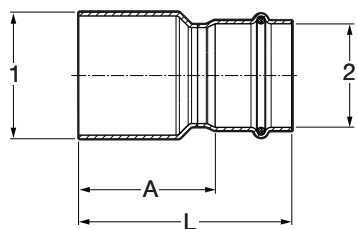
Part No.		Size (in)	A (in)	L (in)
<b>S/S 304</b>	<b>S/S 316</b>	<b>1 1</b>		
85297	80295	2½ x 2½	0.95	4.33
85302	80300	3 x 3	0.98	4.92
85307	80305	4 x 4	1.06	5.79

## ProPress XL Coupling No Stop Stainless Steel P x P - Models 6015.5XL / 4015.5XL



Part No.		Size (in)	L (in)
<b>S/S 304</b>	<b>S/S 316</b>	<b>1 1</b>	
85342	80340	2½ x 2½	4.33
85347	80345	3 x 3	4.92
85352	80350	4 x 4	5.79

## ProPress XL Reducer Stainless Steel FTG x P - Models 6015.1XL / 4015.1XL



Part No.		Size (in)	A (in)	L (in)
<b>S/S 304</b>	<b>S/S 316</b>	<b>1 2</b>		
85237	80235	2½ x 2	2.85	4.43
85242	80240	3 x 2	3.38	4.96
85247	80245	3 x 2½	3.21	4.90
85252	80250	4 x 2	4.26	5.85
85257	80255	4 x 2½	4.09	5.79
85262	80260	4 x 3	3.88	5.85

**V Viega LLC**  
585 Interlocken Blvd.  
Broomfield, CO 80021

Phone (800) 976-9819  
www.viega.us

DD-PP 0219 ProPress Stainless XL

