

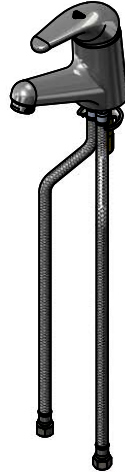
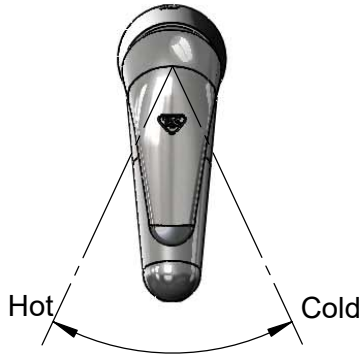


**T&S BRASS AND BRONZE WORKS, INC.**  
 2 Saddleback Cove / P.O. Box 1088  
 Travelers Rest, SC 29690

Model No.  
**B-2701**

Item No.

Travelers Rest, SC: 800-476-4103 • Simi Valley, CA: 800-423-0150 • Fax: 864-834-3518 • www.tsbrass.com



This Space for Architect/Engineer Approval

Job Name \_\_\_\_\_ Date \_\_\_\_\_

Model Specified \_\_\_\_\_ Quantity \_\_\_\_\_

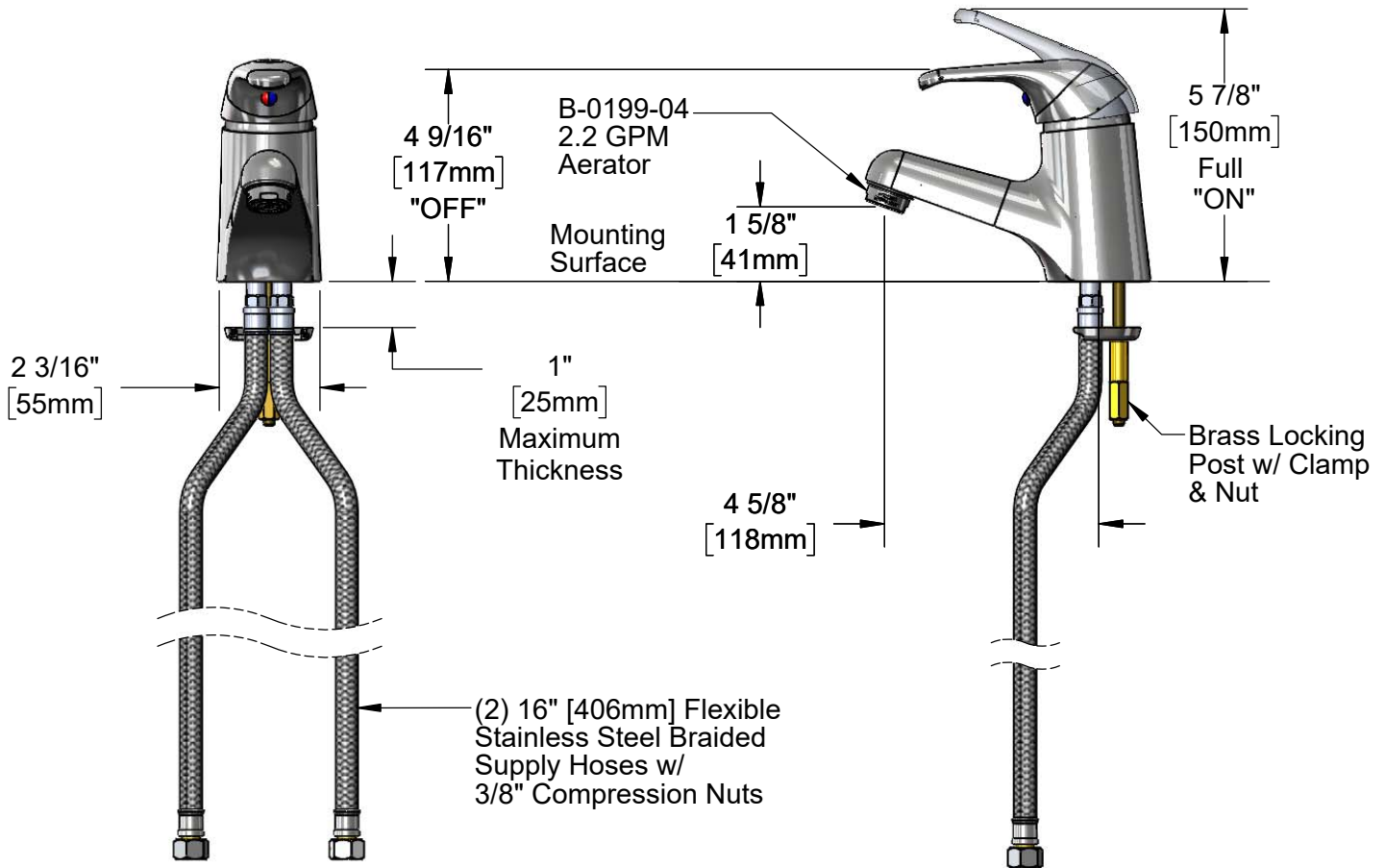
Customer/Wholesaler \_\_\_\_\_

Contractor \_\_\_\_\_

Architect/Engineer \_\_\_\_\_



**ADA Compliant**



Rough-in Requirement:  
 $\phi$  1 1/2" [38mm] Mounting Hole

Product Specifications:  
 Single Hole Single Lever Deck Mount Faucet, Ceramic Cartridge,  
 Temperature Limit Stop, 2.2 GPM Aerator & 16" Flexible Stainless  
 Steel Braided Supply Hoses

Product Compliance:  
 ASME A112.18.1 / CSA B125.1  
 NSF 61 - Section 9  
 NSF 372 (Low Lead Content)  
 ANSI A117.1 (ADA)

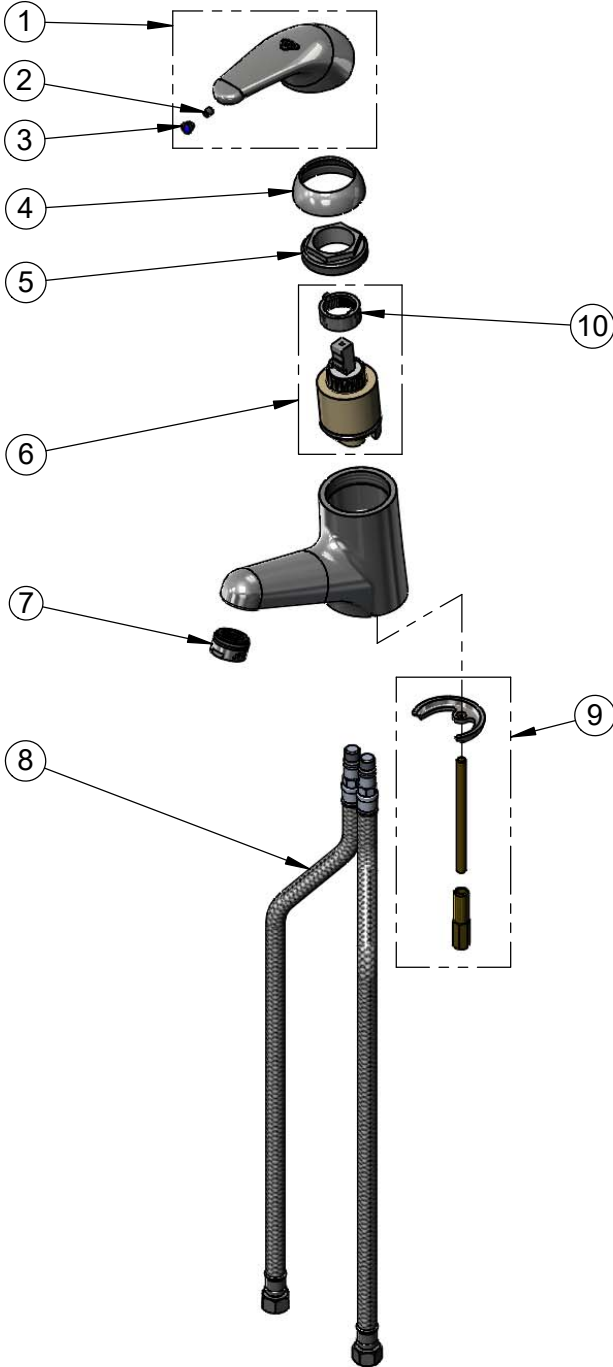


**T&S BRASS AND BRONZE WORKS, INC.**  
 2 Saddleback Cove / P.O. Box 1088  
 Travelers Rest, SC 29690

Model No.  
**B-2701**

Item No.

Travelers Rest, SC: 800-476-4103 • Simi Valley, CA: 800-423-0150 • Fax: 864-834-3518 • www.tsbrass.com



ITEM NO.	SALES NO.	DESCRIPTION
1	013113-45	Single Lever Handle
2	016675-45	Set Screw
3	014173-45	Temperature Index
4	016661-45	Trim Ring
5	016663-45	Locking Nut
6	013111-45	Ceramic Cartridge w/ Temperature Limit Stop
7	B-0199-04	2.2 GPM Aerator, 15/16-27 Male
8	016879-45	(2) 16" Flexible Stainless Steel Braided Supply Hoses, w/ 3/8" Compression Nuts
9	019116-45	Mounting Hardware Kit
10	015400-45	Temperature Limit Stop

**Product Specifications:**  
 Single Hole Single Lever Deck Mount Faucet, Ceramic Cartridge, Temperature Limit Stop, 2.2 GPM Aerator & 16" Flexible Stainless Steel Braided Supply Hoses

**Product Compliance:**  
 ASME A112.18.1 / CSA B125.1  
 NSF 61 - Section 9  
 NSF 372 (Low Lead Content)  
 ANSI A117.1 (ADA)