



T&S BRASS AND BRONZE WORKS, INC.
 2 Saddleback Cove / P.O. Box 1088
 Travelers Rest, SC 29690

Model No.
013E-84H

Item No.

Travelers Rest, SC: 800-476-4103 • Simi Valley, CA: 800-423-0150 • Fax: 864-834-3518 • www.tsbrass.com

This Space for Architect/Engineer Approval

Job Name _____ Date _____

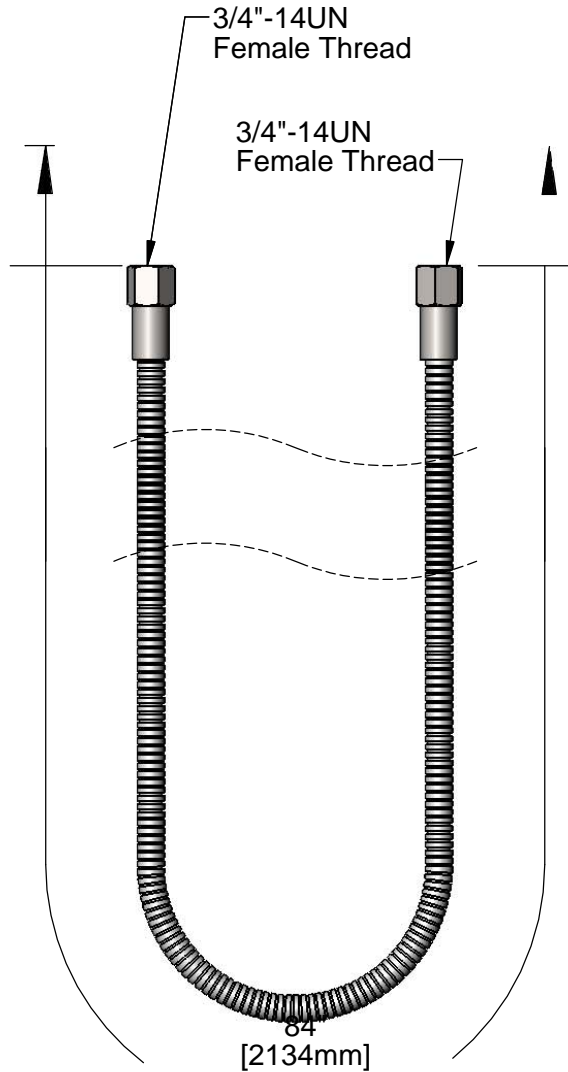
Model Specified _____ Quantity _____

Customer/Wholesaler _____

Contractor _____

Architect/Engineer _____


 (2) 010476-45
 Washers
 (Included)



Product Specifications:
 84" Stainless Steel Flex Hose

| | | |
|----------------------|-----------------------|--------------------------|
| Drawn KJG | Checked DHL | Approved JHB |
| Scale: 1:4 | | Date: 01/11/13 |