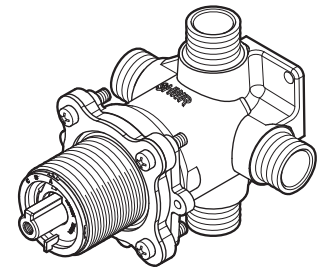


## Tub And Shower Valve

- |  |  |
|--|--|
| OX8-010A Finish(XX) <input type="checkbox"/> | JX8-010A Finish(XX) <input type="checkbox"/> |
| OX8-040A Finish(XX) <input type="checkbox"/> | JX8-040A Finish(XX) <input type="checkbox"/> |
| OX8-110A Finish(XX) <input type="checkbox"/> | JX8-110A Finish(XX) <input type="checkbox"/> |
| OX8-140A Finish(XX) <input type="checkbox"/> | JX8-140A Finish(XX) <input type="checkbox"/> |

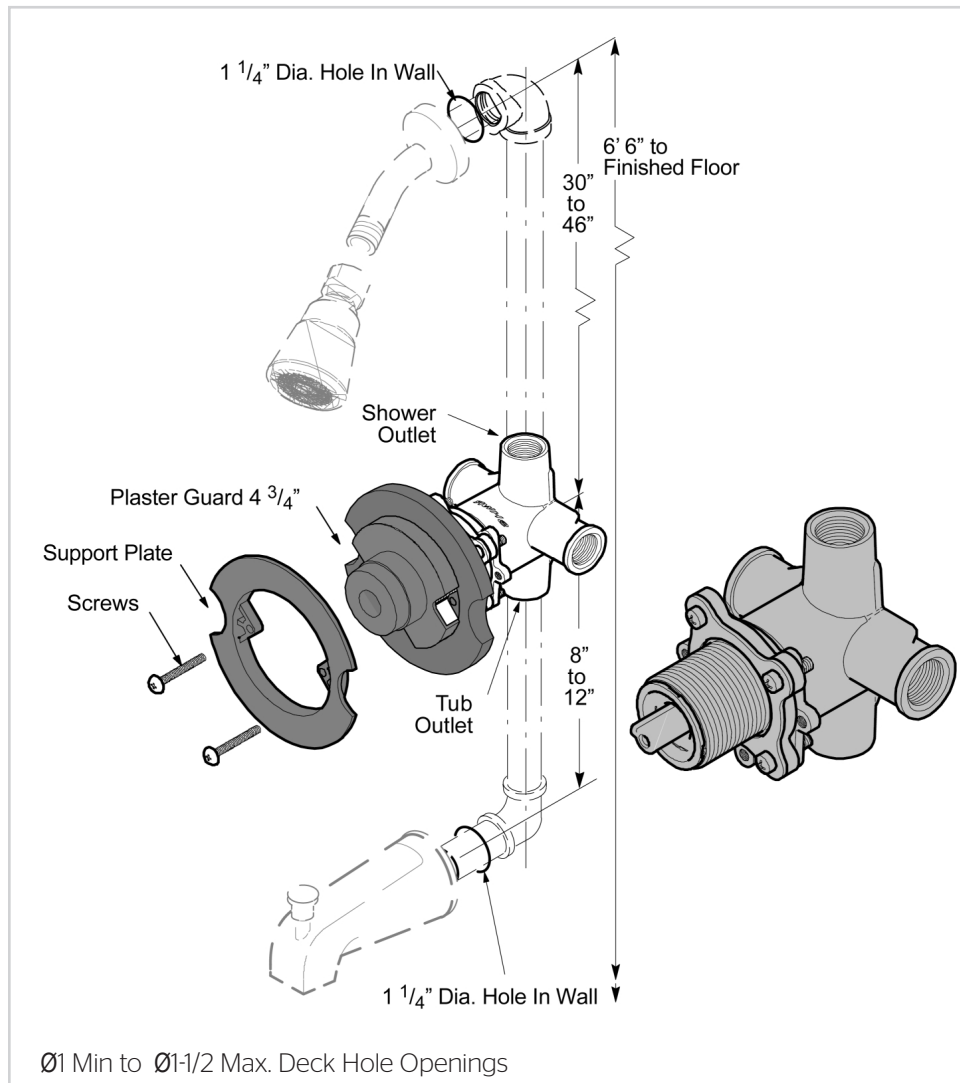


## Specifications

### Features

- Back-to-Back Installation
- CC x CC Less Stops (010A Only)
- CC x CC with Stops (040A Only)
- IP x IP Less Stops (110A Only)
- IP x IP with Stops (140A Only)
- Job Pack of 12 (JX8 Only)
- Pforever Warranty®

## Dimensions



### Code Compliance

Pfister products are designed and manufactured in compliance with the following standards and codes:

- IAPMO Certified
- CSA B125 Certified
- ASME A112.18.1
- ASSE 1016
- ADA Compliant-ANSI A117.1 (Lever handles only)

