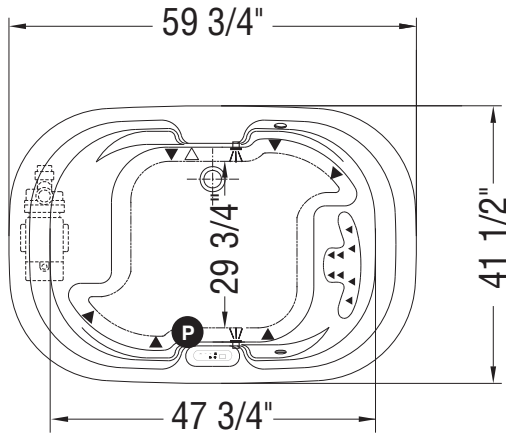
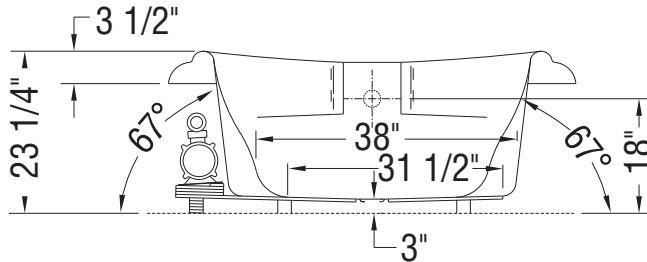
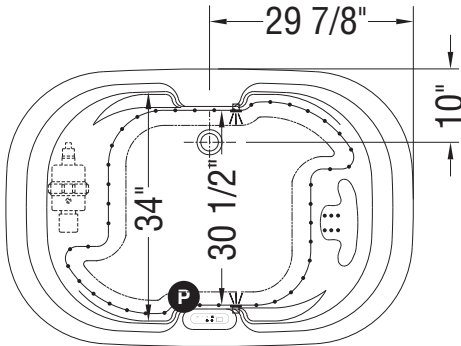


WHIRLPOOL SYSTEM



AIR SYSTEM



- ( P ): Indicates optional grab bar positioning
- ( ▲ ): Indicates whirlpool jets positioning
- ( △ ): Indicates suction positioning
- ( ● ): Indicates airjets positioning
- ( ☼ ): Indicates chromatherapy light positioning

Bathtub base includes anti-vibration Neutra-Phone leg supports (not shown).

**All dimensions are approximate. Structure measurements must be verified against the unit to ensure proper fit.**