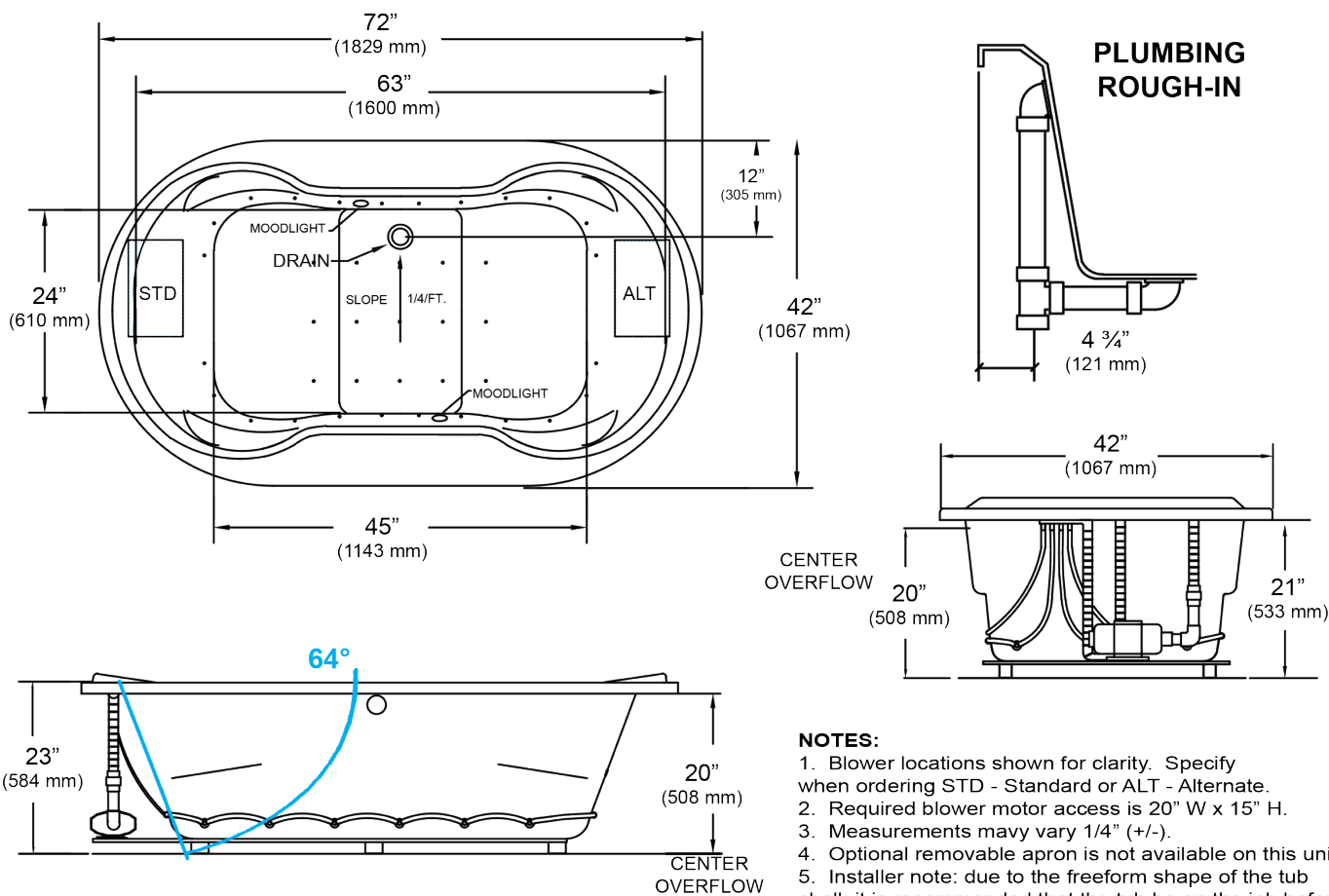


5377

MANSFIELD®

Heathrow OV™ 72" x 42" x 23" Swirl-way® Air Massage Bath



- NOTES:**
1. Blower locations shown for clarity. Specify when ordering STD - Standard or ALT - Alternate.
 2. Required blower motor access is 20" W x 15" H.
 3. Measurements may vary 1/4" (+/-).
 4. Optional removable apron is not available on this unit.
 5. Installer note: due to the freeform shape of the tub shell, it is recommended that the tub be on the job before making the final cut-out for drop-in installation.

SPECIFICATIONS

Specification	Description	Specification	Description
Material	Acrylic, fiberglass reinforced	Number of Jets	34
Construction	Self-contained, pre-plumbed air bath system mounted on a pre-leveled base	Water Capacity	60 gal. (min) 80 gal. (max)
Blower Motor	1.0 HP Variable Speed - 120 V, 9.0 AMP	Floor Loading Weight	47 lbs. / sq. ft (229 kg/m ²)
Electrical Requirements	One 120V, 20 AMP, GFCI Protected Circuit	Shipping Weight	175 lbs.
On/Off Control	Six button electronic control 20 minute time cycle, and auto purge cycle	Warranty	Limited Ten Year

