

JOB NAME _____ ITEM TAG _____

JOB LOCATION _____ PART NUMBER _____

CONTRACTOR _____ DATE _____

ENGINEER APPROVAL _____ DATE _____

LEAD-FREE INSTA-LOC II™ PUSH-TO-CONNECT FULL- PORT BALL VALVES

P-2200NL and P-2200NL Drop-Ear

Lead-free design is suitable for all no-lead potable water installations, in full compliance of all lead-free plumbing laws.

Insta-Loc II™ push-to-connect ends can be installed onto copper, PEX or CPVC tubing, eliminating the need for separate crimp-rings and tools, hazardous soldering or messy solvent-welding.

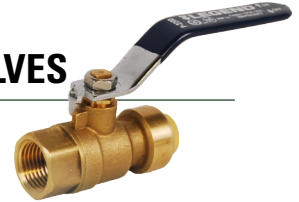
Dezincification-resistant (DZR) forged brass construction resists corrosion from exposure to a wide variety of water conditions.

The drop-ear body configuration permits stable mounting with two screws (not included), eliminating tubing flex during valve operation.

Female pipe thread configurations permit easy transition from piping to tubing, eliminating the need for additional fittings.

Available in nominal sizes 1/2", 3/4" and 1" in PTC x PTC, PTC x PTC drop-ear and PTC x FNPT configurations.

- Third-party tested and certified in compliance with U.S. Federal Public Law 111-380 (National lead-free plumbing law).
- UPC / IAPMO certified in compliance with ANSI / NSF Standard 61-G and ANSI / NSF Standard 14.
- End connections comply with:
ANSI / ASME B1.20.1 (FNPT)
ASSE 1061 (Push-fit for Copper-PVC-PEX)
- Manufactured in an ISO accredited facility.



Pictured:
P-2200NL FNPT x PTC



Pictured:
P-2200NL Drop-ear



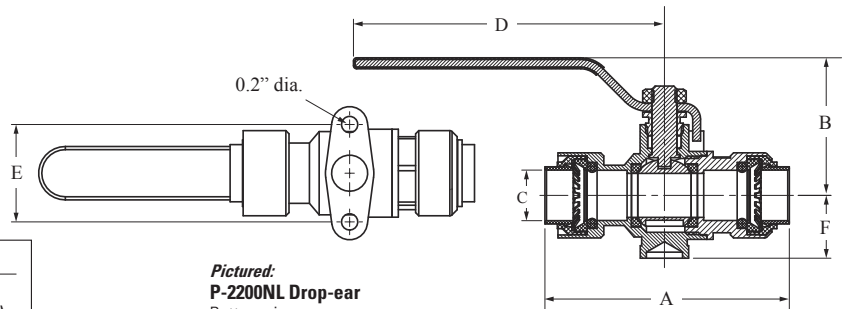
Working Pressure, Non Shock (PSI)

Cold working pressure (CWP): 200 psi @ 250° F, maximum temp.*

Saturated steam (WSP): Not suitable for steam service

***Caution!** May exceed the maximum service temperature or pressure of the PEX or CPVC tubing.

DIMENSIONS						
Size	A	A (PTC x FNPT)	B	C	D	F
1/2"	3.06	2.78	1.71	0.63	3.88	1.22
3/4"	3.49	3.04	1.85	0.88	3.88	1.50
1"	4.05	3.35	2.13	1.13	4.39	1.30

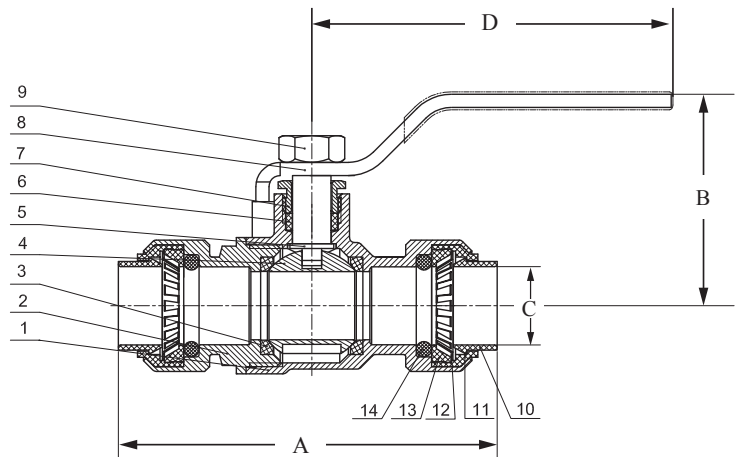


Pictured:
P-2200NL Drop-ear
Bottom view

Pictured:
P-2200NL Drop-ear
Cut-away view

MATERIAL SPECIFICATION

PART	MATERIAL	SPECIFICATION
1 Body	Lead-free DZR forged brass	UNS Alloy C46500
2 End adapter	Lead-free DZR forged brass	UNS Alloy C46500
3 Seats	PTFE	Teflon®
4 Ball	Lead-free DZR chrome plated forged brass	UNS Alloy C46500
5 Stem	Lead-free DZR forged brass	UNS Alloy C46500
6 Stem packing	PTFE	Teflon®
7 Packing nut	Forged brass	UNS Alloy C37700
8 Lever handle	Zinc plated steel	ASME SA6, SA283 Grade C
9 Handle nut	Zinc plated steel	AISI S201
10 Release collar	Polyacetal resin	POM Celcon M90, commercial grade
11 Retainer ring	Polyacetal resin	POM Celcon M90, commercial grade
12 Grip ring	Stainless steel	AISI Grade 304
13 Guide ring	Polyacetal resin	POM Celcon M90, commercial grade
14 O-ring	EPDM rubber	Commercial grade
Insert stiffener (not shown)	Polysulfone resin	Commercial grade



Pictured:
P-2200NL PTC x PTC
Cut-away view

*Teflon is a registered trademark of the DuPont Company.