

**3 Station Mop Holder
Model LK403**



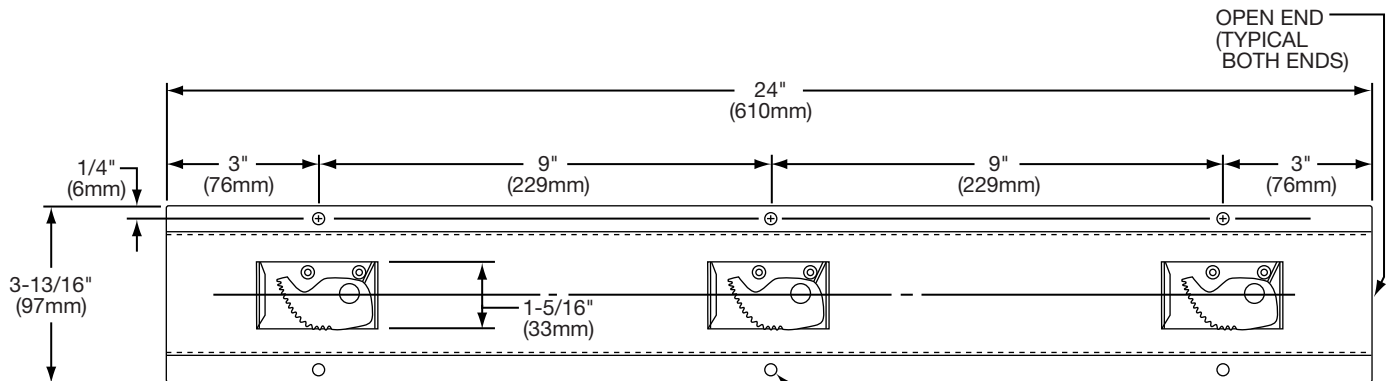
SPECIFICATIONS

GENERAL

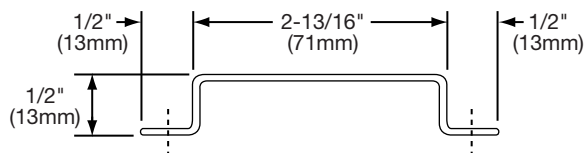
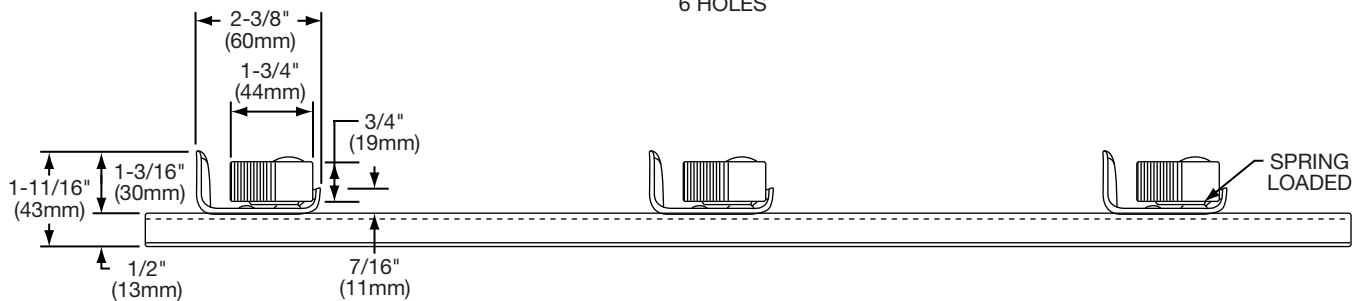
LK403 Stainless steel wall mount 3 station mop holder. 24" (610mm) long x 3-13/16" (97mm) high. Ship. Wt. 2 lbs.



Model LK403



1/4" (6mm) DIA. 6 HOLES



END VIEW OF MOUNTING CHANNEL