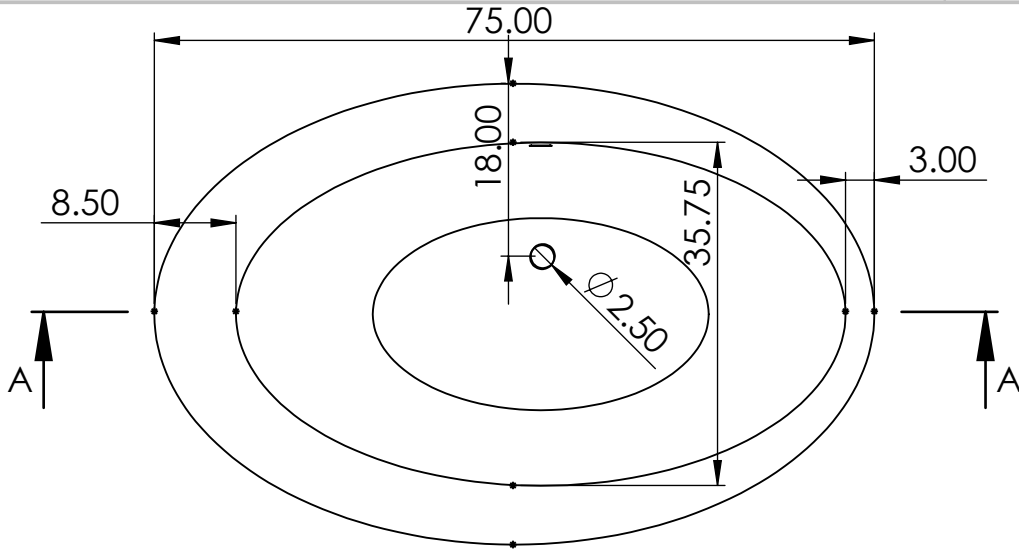
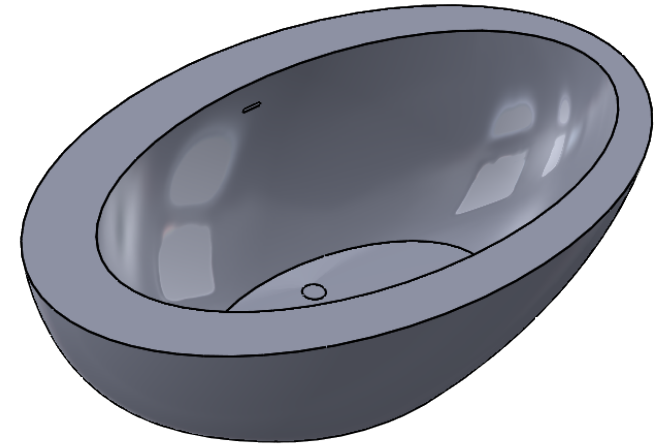


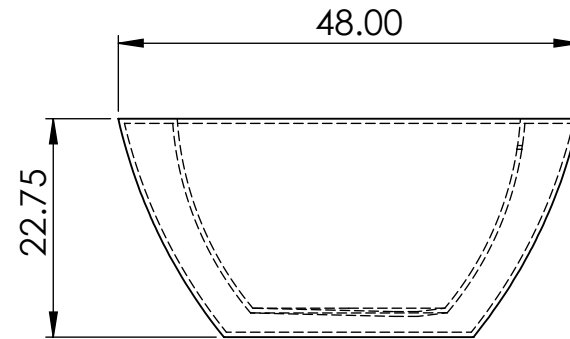
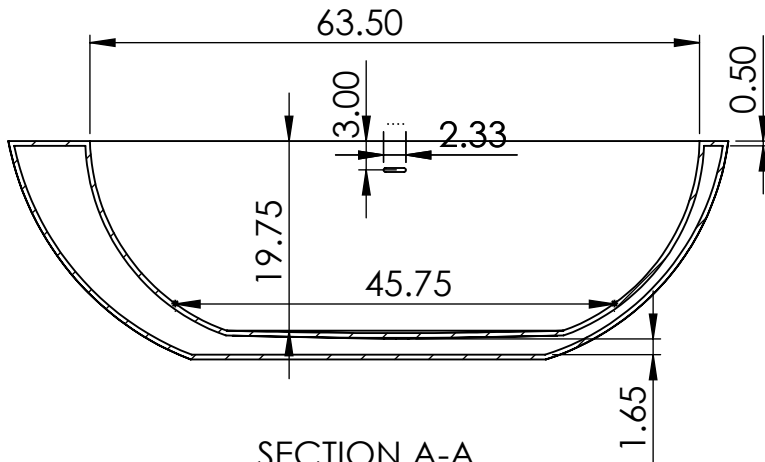
B



1



B



SECTION A-A
SCALE 1 : 20

A

A

PROPRIETARY AND CONFIDENTIAL
THE INFORMATION CONTAINED IN THIS DRAWING IS THE SOLE PROPERTY OF CLARKE PRODUCTS INC. ANY REPRODUCTION IN PART OR AS A WHOLE WITHOUT THE WRITTEN PERMISSION OF CLARKE PRODUCTS INC. IS PROHIBITED.

NEXT ASSY	USED ON
APPLICATION	

UNLESS OTHERWISE SPECIFIED:	NAME	DATE
DIMENSIONS ARE IN INCHES	ENGINEER	
EXCEPT WHERE STATED OTHERWISE, TOLERANCES ON DIMENSION: ± 0.25	OPS MGR.	
INTERPRET GEOMETRIC TOLERANCING PER:	V.P	
MATERIAL	PRESIDENT	
FINISH	Q.A.	
DO NOT SCALE DRAWING	COMMENTS:	

CLARKE

TITLE:
OCEAN_CLUB_CUSTOM_TUB-7548

SIZE	DWG. NO.	REV
A		
SCALE: 1:50	WEIGHT:	SHEET 1 OF 1

2

1