

Central Brass

C O M P A N Y

Brecksville, Ohio 44141

Phone: (216) 883-0220 Fax: (440) 526-5745

www.CentralBrass.com

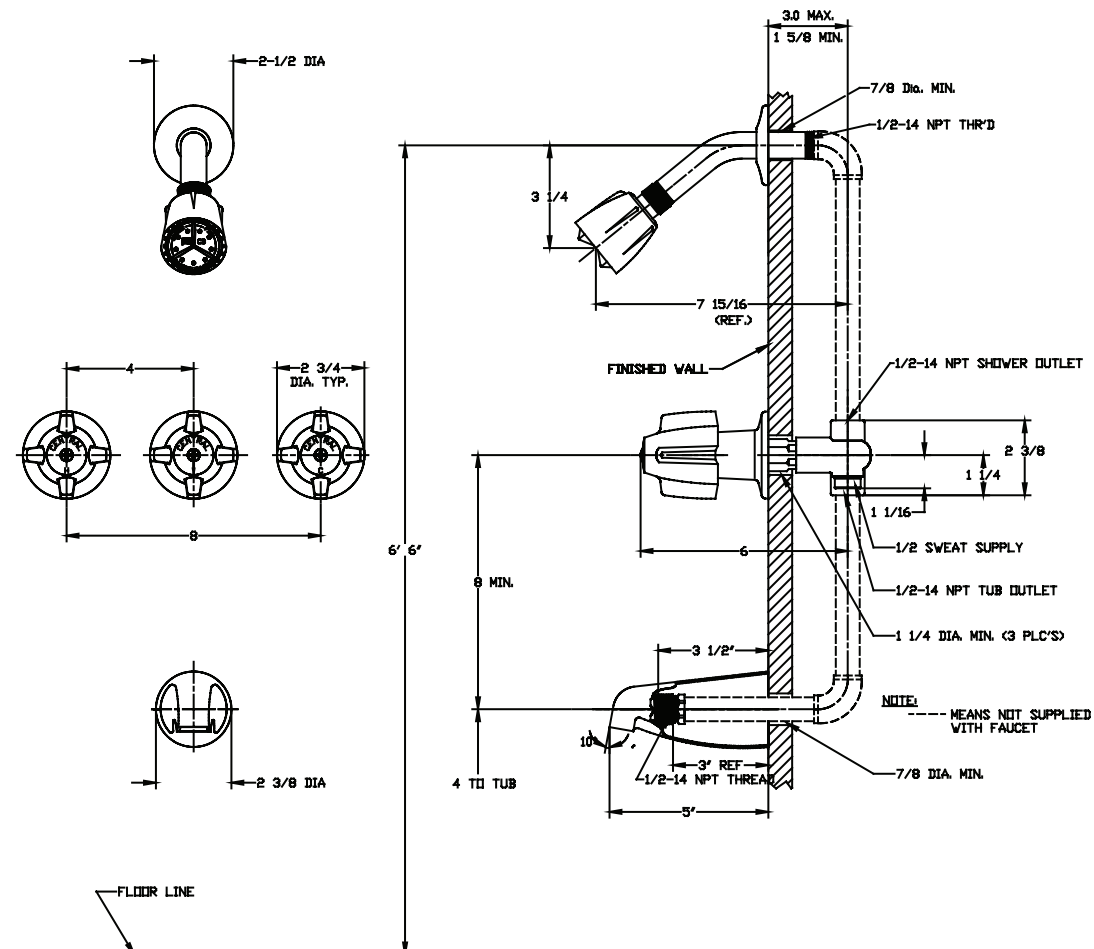
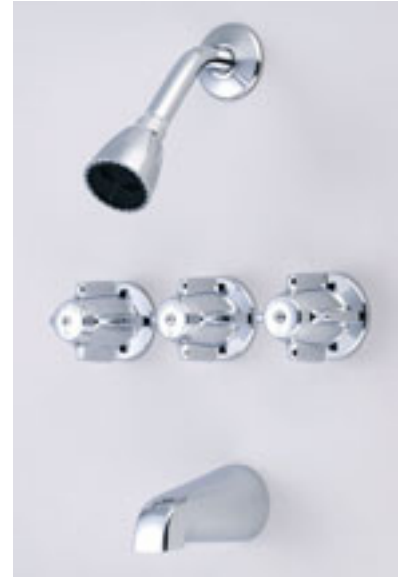
MODEL NO. 0868-Z
BATH & SHOWER FITTING

The three valve bath and shower fitting is made with a cast brass body with replaceable seats designed for direct sweat connections. The stem units are all brass with a reinforced rubber packing and rubber seat washers. The stem units can be easily replaced from the front of the fitting without removing the valve body. The handles, spout and escutcheons are zinc die cast with a chrome plated finish. The shower arm is brass with chrome plated finish, the escutcheon is stainless steel and the shower head is chrome plated plastic. The spout is cast brass with a chrome plated finish

ASME A112.18.1M

Shower Flow Rate 2.5 gpm @ 80 psi

Installation Drawing



Central Brass

COMPANY

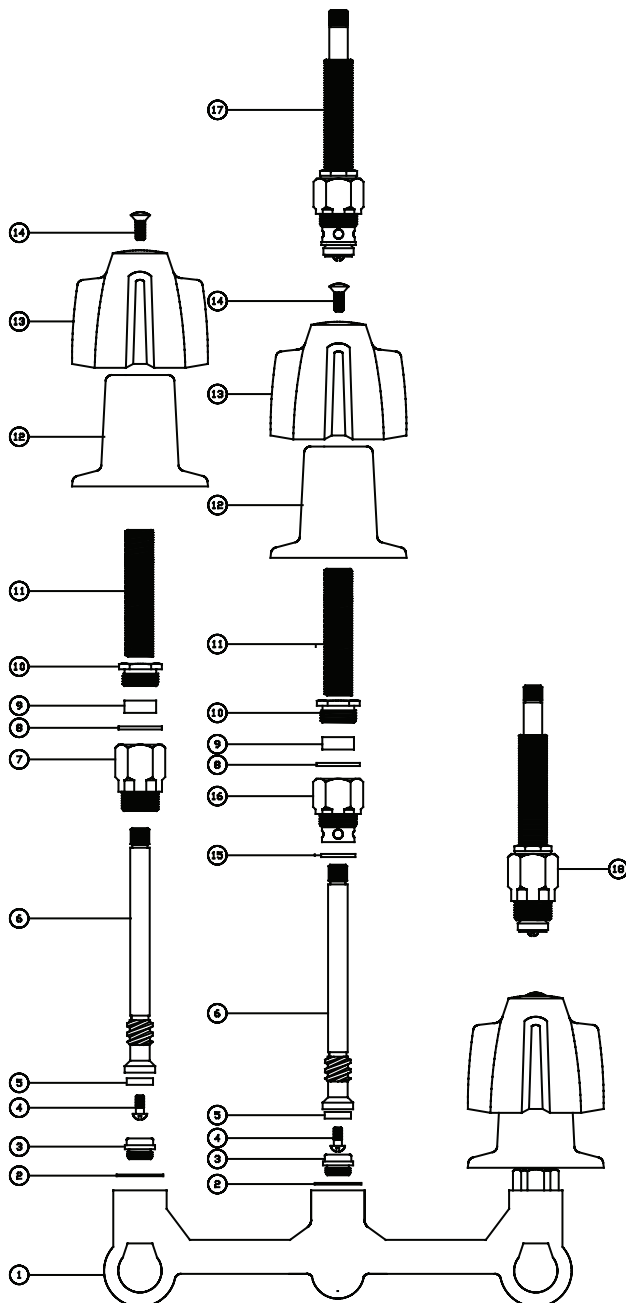
Brecksville, Ohio 44141

Phone: (216) 883-0220 Fax: (440) 526-5745

www.CentralBrass.com

**MODEL NO. 0868-Z
BATH & SHOWER FITTING**

Parts Breakdown



#	Part	Description	Material
1	1508	Body	Brass
2	1028-Y	Gasket	Nylon
3	PF-263-B	Seat	Brass
4	104	Screw	Brass
5	901-WNN	Washer	Rubber
6	1548-CT	Stem	Brass
7	1549-CT	Bonnet	Brass
8	4-L	Washer	Brass
9	814-BARP	Packing	Mixed
10	765-TA	Nut	Brass
11	269-29/16	Nipple	Brass
12	521-B	Escutcheon	Zinc
13	508-H/C/D	Handle	Zinc
14	107-F	Screw	Brass
15	4-N	Washer	Celcon
16	1588-CT	Bonnet	Brass
17	SU-1548-CTDP	Cartridge	Mixed
18	SU-1548-CTP	Cartridge	Mixed
19	3154-Z	Spout	Zinc
20	1035-SS	Escutcheon	Stainless Steel
21	714-WT-02	Arm	Brass
22	3034-1/2-02	Showerhead	Mixed
Faucet parts available are sold as kits			
Kits		Items #'s included	
K-3-CT		2 thru 10	
K-3-DT		2 thru 6 + 15, 16 + 8 thru 10	

The parts listed in the parts breakdown above may not be offered separately as replacement parts. Please review the Replacement Parts page for the authorized replacement parts that are available for this item.

