

**21" UBERTO RECTANGULAR
SINGLE BOWL PREP SINK**

Cat. No
PSSSB2216-SS



W: 20-1/2"

D: 16-1/2"

H: 8"

***Please do NOT cut hole without
template or actual product.**

Interior Dimensions:

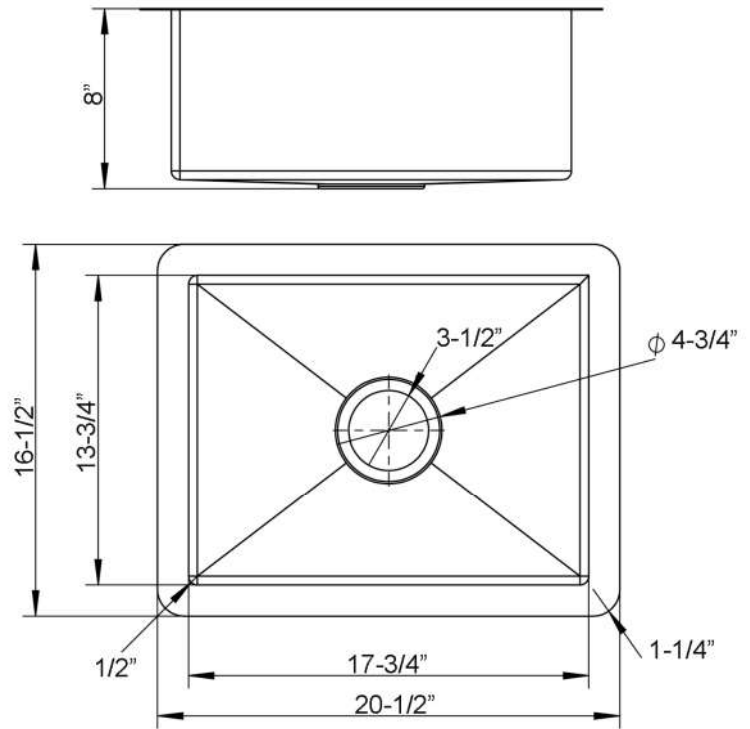
Basin Interior: 17-3/4" L x 13-3/4" W

Basin Depth: 7-1/2"

Features:

- ▶ Rectangular single bowl
- ▶ Solid 16 gauge, 304 grade metal construction
- ▶ Matte finish
- ▶ Coated for sound insulation
- ▶ Mounting clips and template included
- ▶ Lip is 1-1/16" wide
- ▶ Drain is 3-1/2"
- ▶ Drain sold separately
- ▶ Wire grid available to purchase separately,
PSSSB2216-WIRE

Compliance Certification
Meets or exceeds the following
specifications: ASME
A112.19.3-2001 for Stainless Steel.



Dimensions of fixture are nominal and may vary within the range of tolerances established by ANSI Standard A112.19.2. Dimensions and specifications subject to change without notice.