

**33" CORAZON DOUBLE  
BOWL FARMER SINK**

Cat. No  
FSSDB2504-SS



W: 33"  
D: 20"  
H: 10-1/2"

**\*Please do NOT cut hole without  
template or actual product.**

**Features:**

- ▶ Solid 16 gauge, 304 grade metal construction
- ▶ Tight radius corners
- ▶ Easy maintenance with matte finish
- ▶ Mounting clips included
- ▶ Template is included
- ▶ Insulated for sound reduction
- ▶ Angled bowl
- ▶ Rim width is 1-1/2" on front and sides and 1" on back
- ▶ Drain is 3-1/2"
- ▶ 60/40 offset
- ▶ Wire grid available to purchase separately, **FSSDB2504-WIRE**

**Compliance Certification**  
Meets or exceeds the following  
specifications: ASME  
A112.19.3-2001 for Stainless Steel.

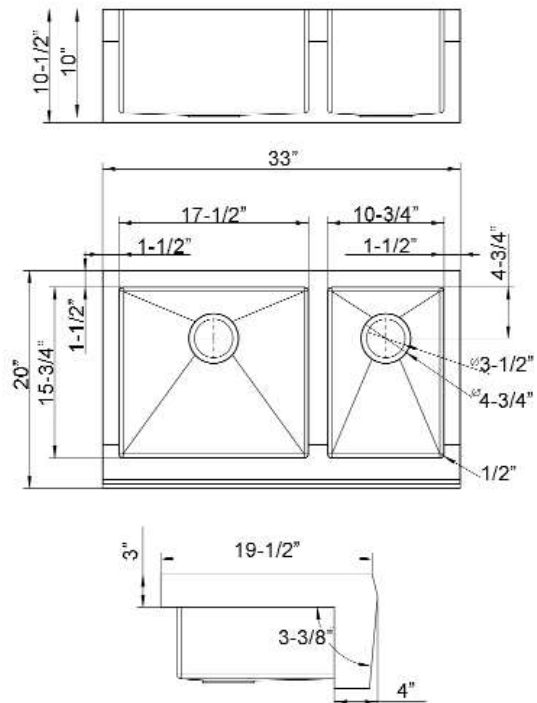
**Interior Dimensions:**

**Large**

Basin Interior: 17-1/2" W x 15-3/4"D  
Basin Depth: 10"

**Small**

Basin Interior: 10-3/4"W x 15-3/4"D  
Basin Depth: 10"



Dimensions of fixture are nominal and may vary within the range of tolerances established by ANSI Standard A112.19.2. Dimensions and specifications subject to change without notice.