

# VARIANT RECTANGULAR ABOVE COUNTER BASIN

Cat.No.  
5-505WH



Drain not provided

W: 21-5/8"  
D: 14"  
H: 5"

Base: 14-3/4" x 7-1/2"

## Features:

- ▶ Above counter basin
- ▶ Vitreous china for durability
- ▶ No overflow
- ▶ Drain not provided
- ▶ Can be used with grid drain #5601 or #57100 pop-up drain (Not included)

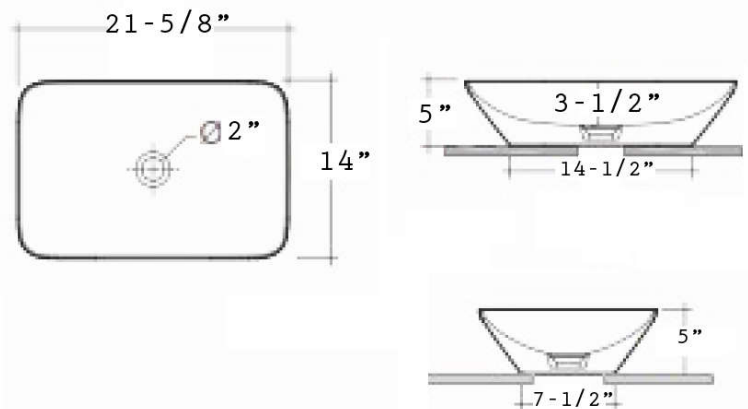
Colors:  
WH White

**Compliance Certification**  
Meets or exceeds the following specifications: ASME A112.19.2 2013 and CSA B45.1-13 for ceramic plumbing fixtures.

**\*Please do NOT drill hole without actual product.**

## Interior Dimensions:

Basin Interior: 13-5/8" x 21-1/8"  
Basin Depth: 3-1/2"  
Back of basin to center of drain: 7-1/8"



Dimensions of fixture are nominal and may vary within the range of tolerances established by AMSE Standard A112.19.2.2013 Dimensions and specifications subject to change without notice.